

JVC

SCHEMATIC DIAGRAMS

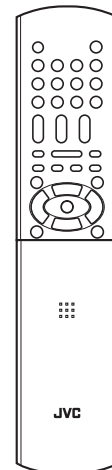
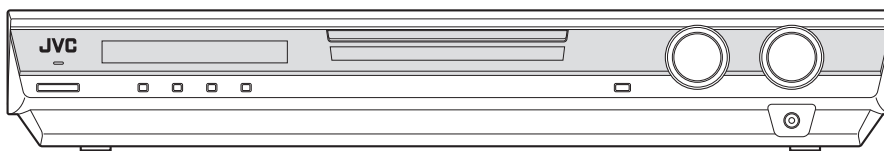
HOME THEATER RECEIVER

RX-F10S

CD-ROM No.SML200406

Area suffix

J ----- U.S.A.
C ----- Canada



AV COMPU LINK

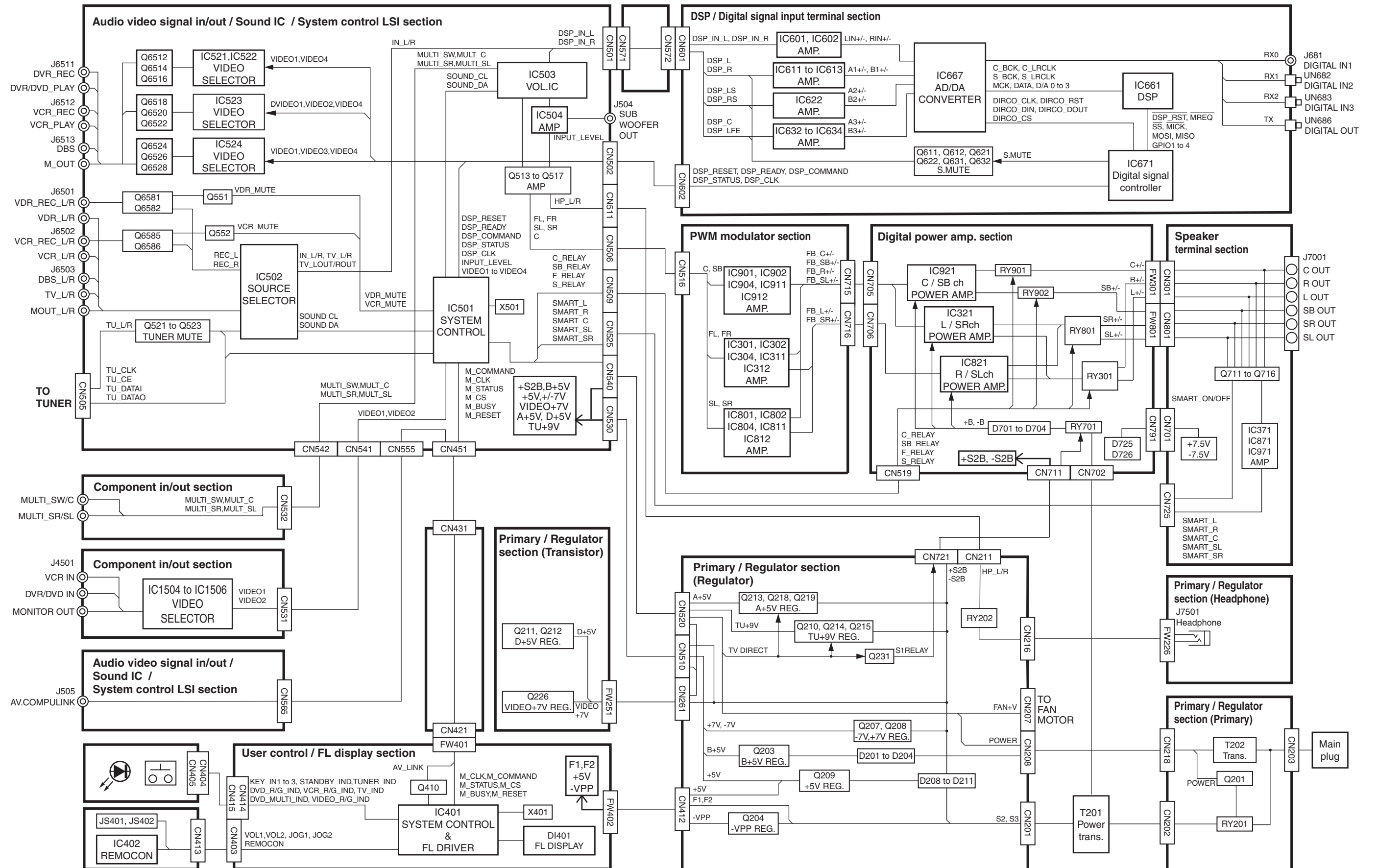
Contents

Block diagram	2-1
Standard schematic diagrams	2-2
Printed circuit boards	2-10 to 14

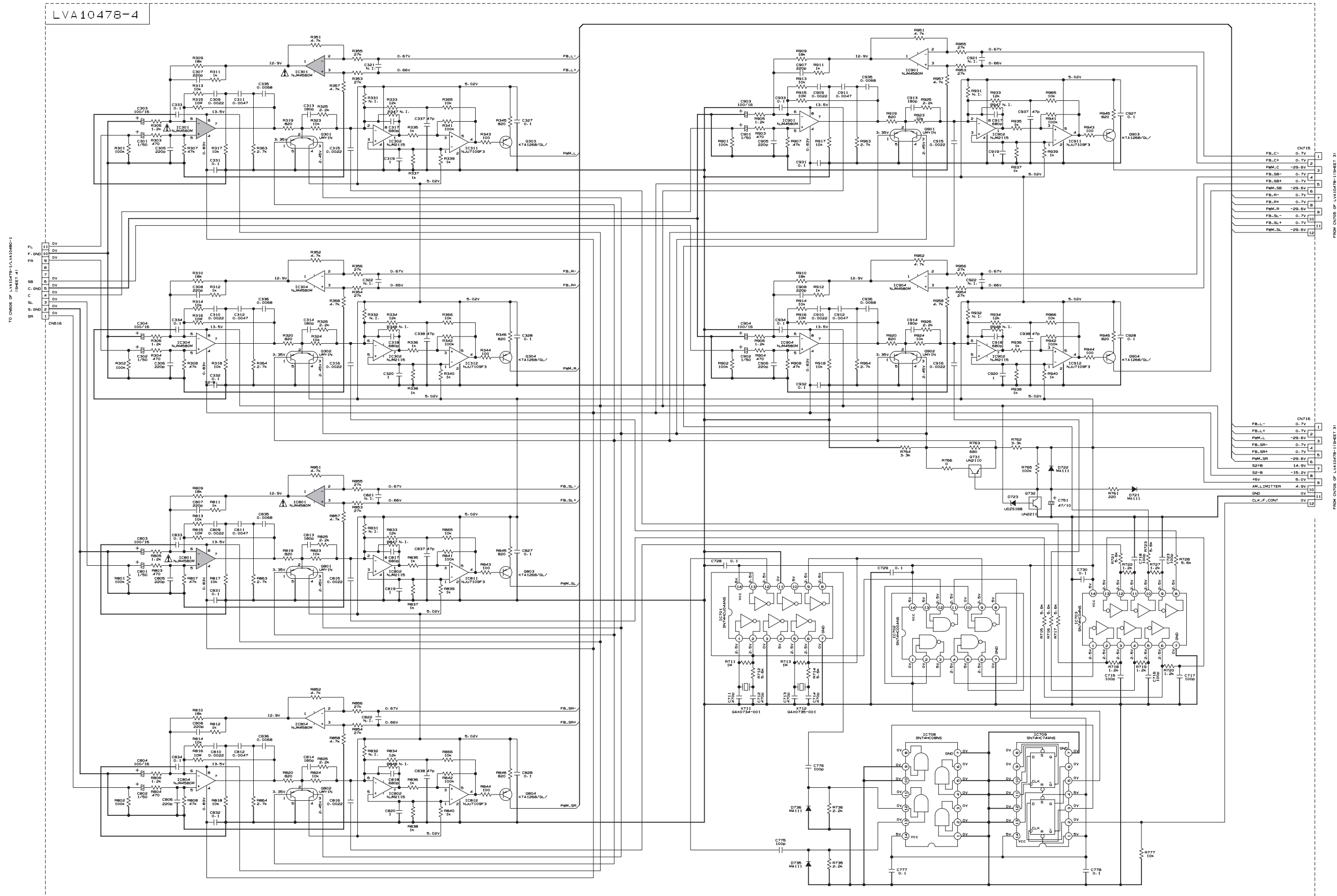
In regard with component parts appearing on the silk-screen printed side (parts side) of the PWB diagrams, the parts that are printed over with black such as the resistor (■), diode (⬤) and ICP (●) or identified by the "▲" mark nearby are critical for safety.

(This regulation does not correspond to J and C version.)

Block diagram

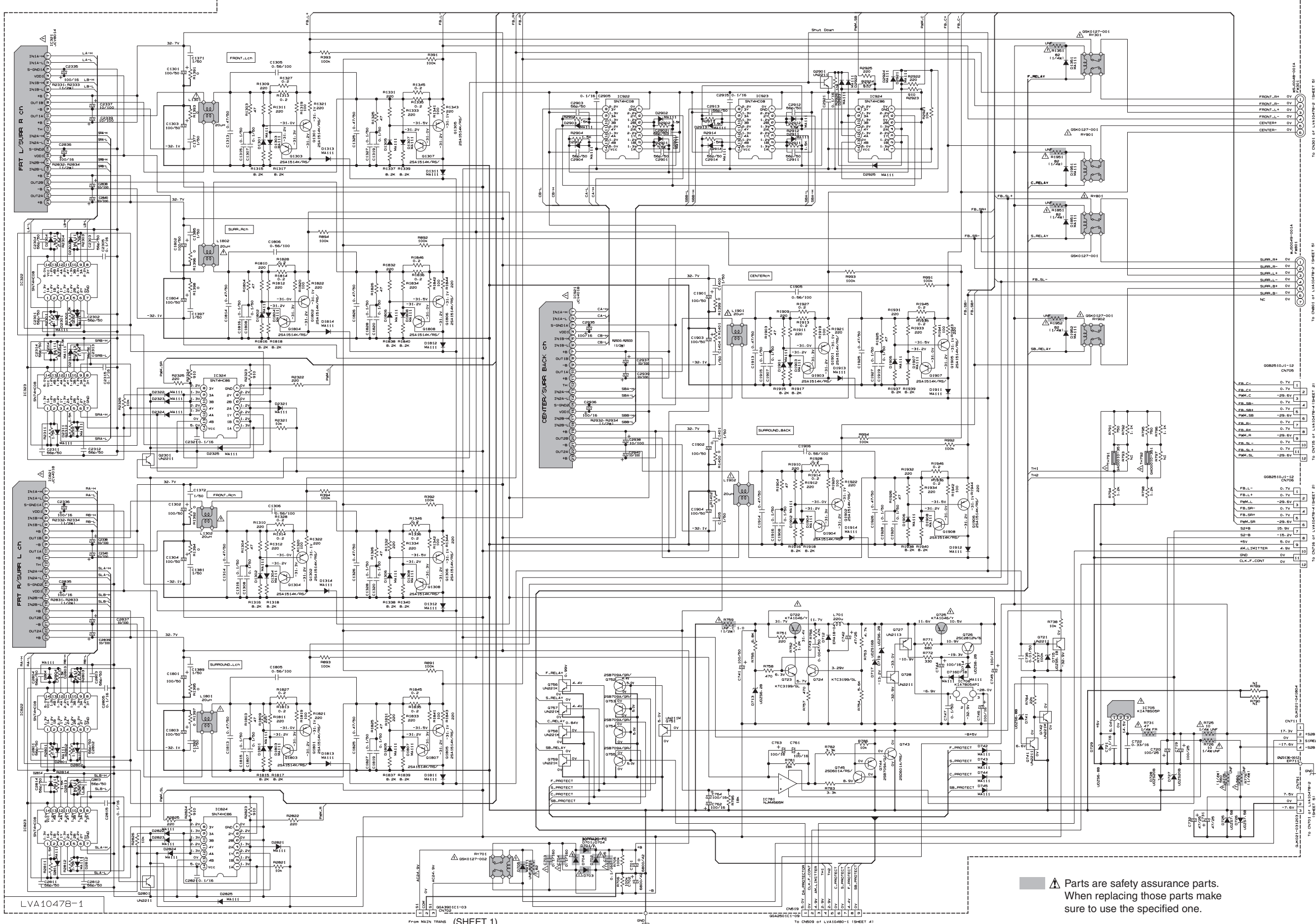


■ PWM modulator section



▲ Parts are safety assurance parts.
When replacing those parts make
sure to use the specified one.

■ Digital power amp. section



▲ Parts are safety assurance parts.
When replacing those parts make
sure to use the specified one.

LVA1047B-1

From MAIN TRANS (SHEET 1)

To CN09 of LVA1048-1 (SHEET 4)

To CN01 of LVA1047B-2 (SHEET 2)

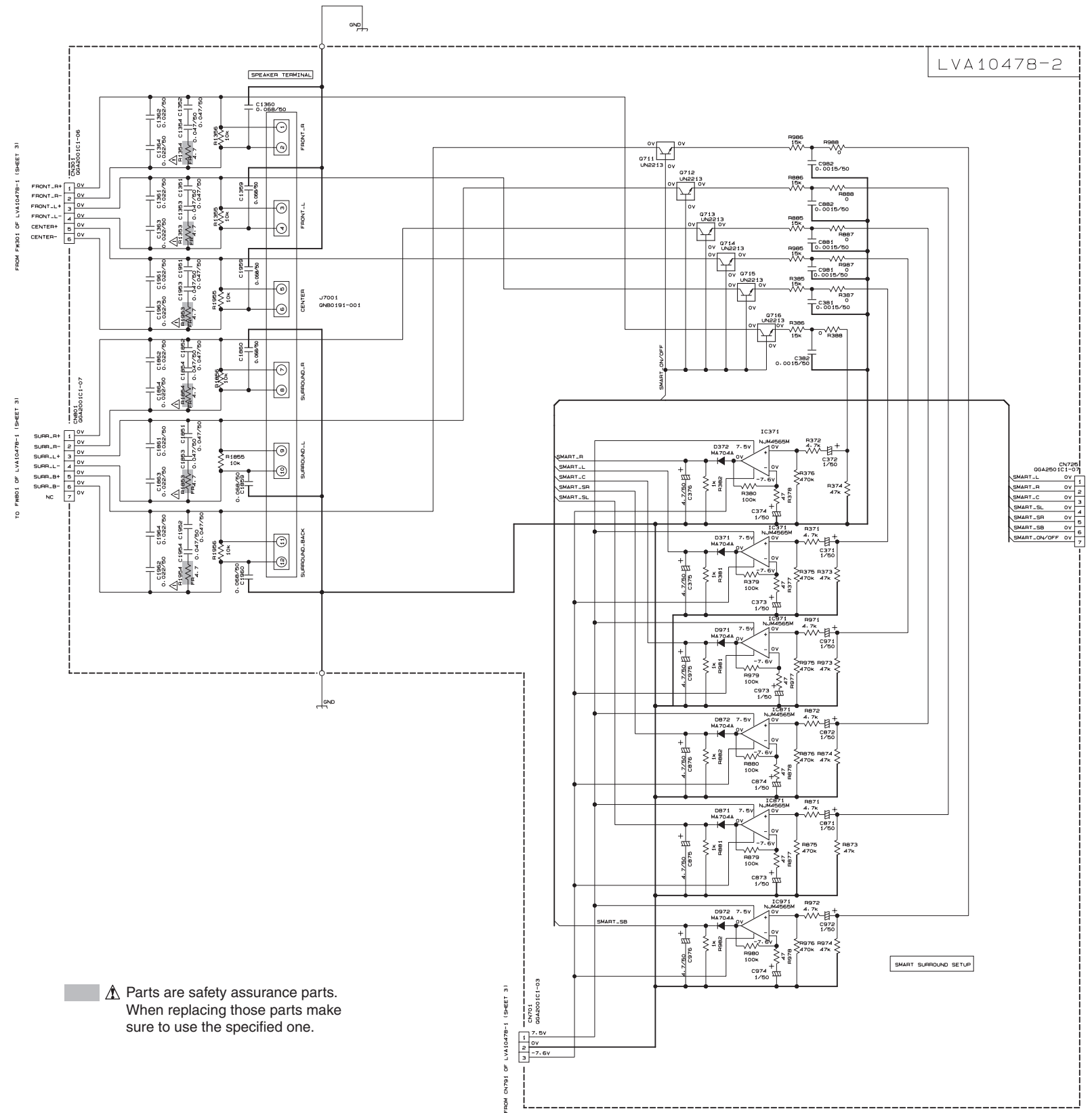
To CN01 of LVA1047B-2 (SHEET 2)

To CN15 of LVA1047B-4 (SHEET 2)

To CN15 of LVA1047B-4 (SHEET 2)

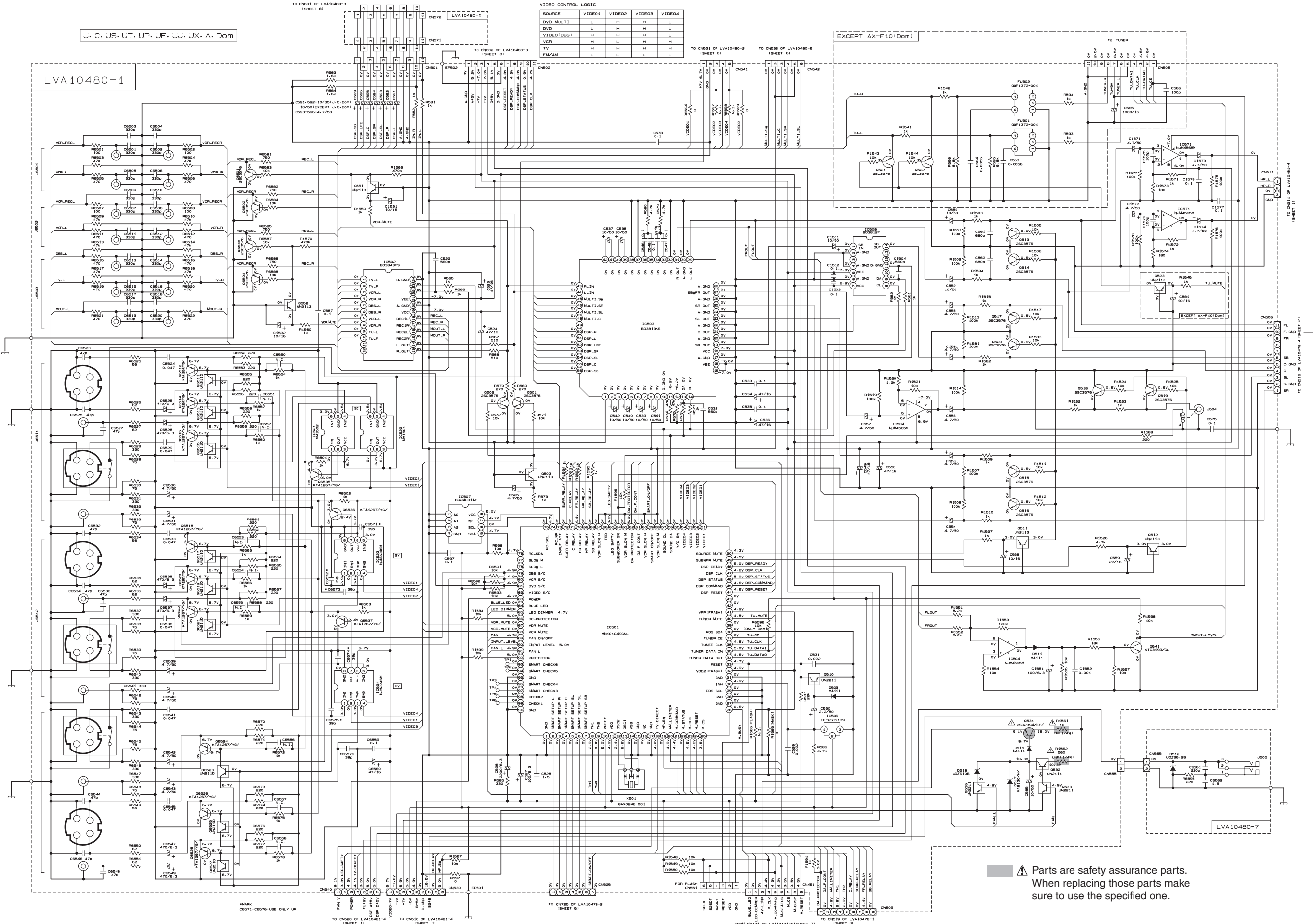
To CN15 of LVA1048-1 (SHEET 1)

Speaker terminal section



⚠ Parts are safety assurance parts.
When replacing those parts make
sure to use the specified one.

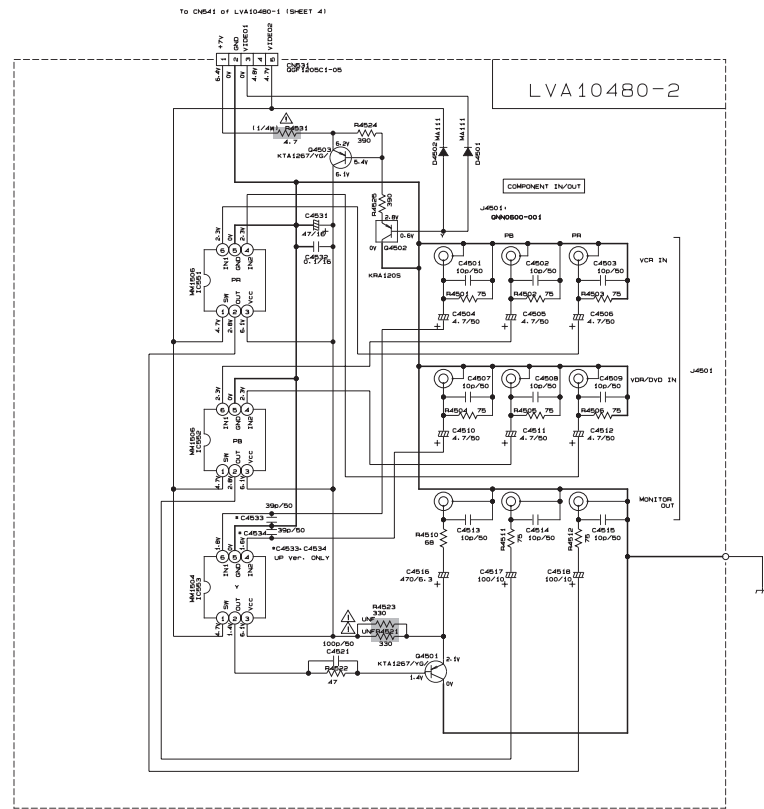
■ Audio video signal in / out / Sound IC / System control LSI section



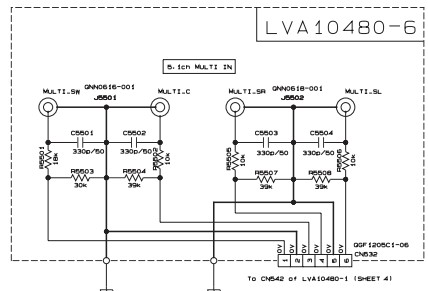
⚠ Parts are safety assurance parts.
When replacing those parts make
sure to use the specified one.

■ Component in / out section

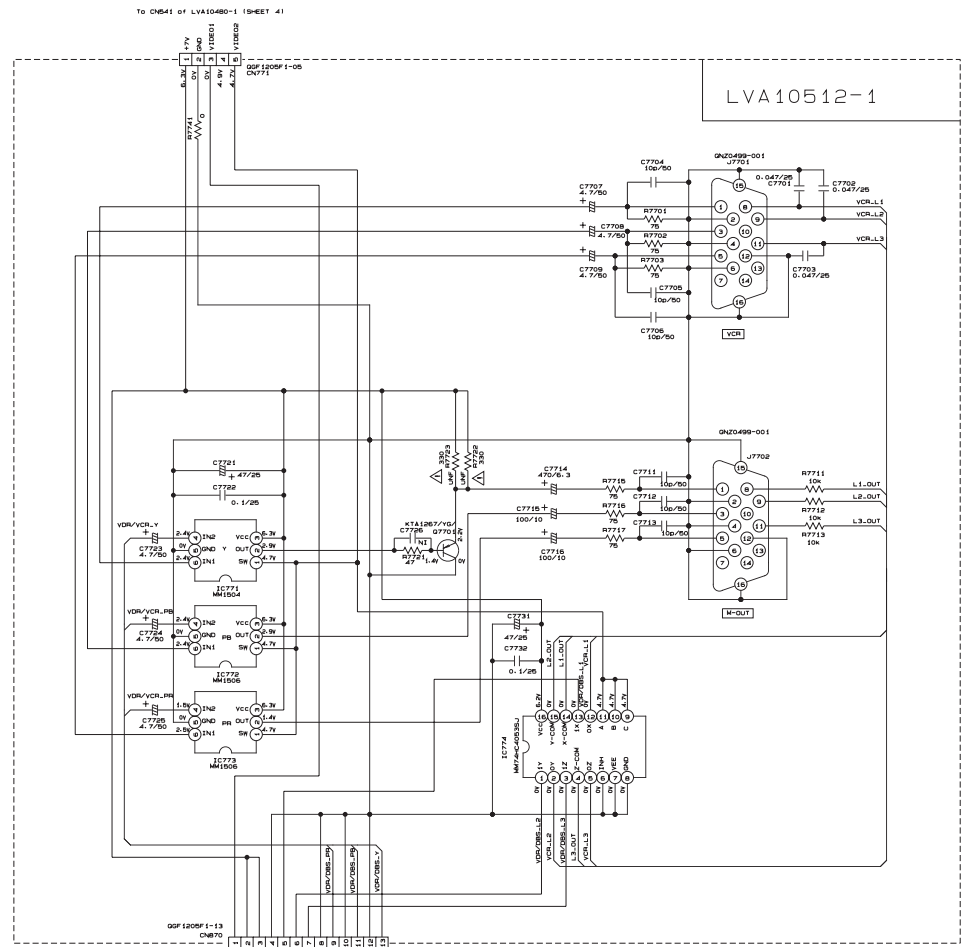
COMPONENT IN/OUT
EXCEPT Ver. D·B·E·EN·EV·EEP·EP·ENP



DVD MULTI IN (FOR DVD AUDIO)
EXCEPT Ver. B·E·EN·EV·EEP·EP·ENP



AX-F10 ONLY (Ver. D)

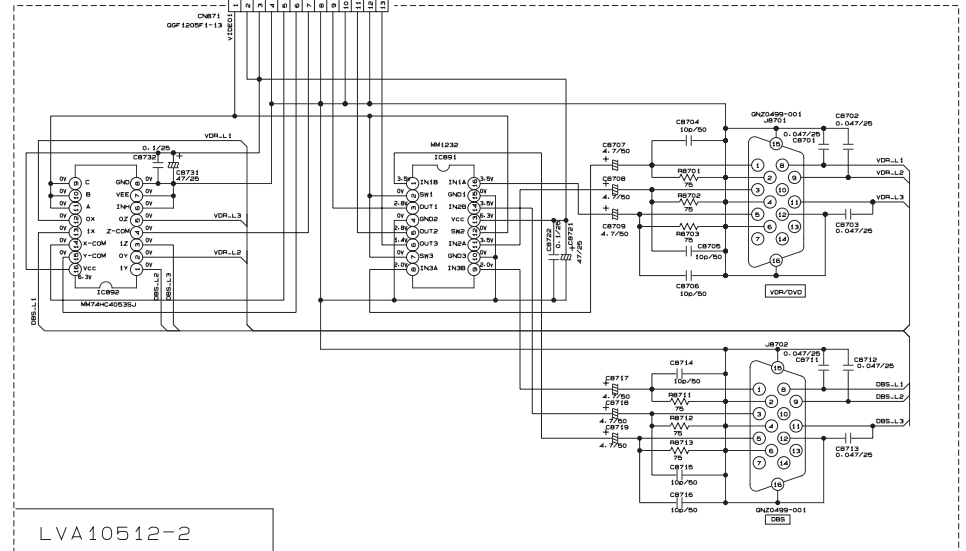


CONTROL LOGIC

SOURCE	VIDEO1	VIDEO2	VIDEO3	VIDEO4
DVD MULTI	L	H	H	L
DVD	L	H	H	L
VIDEO (DBS)	H	H	H	L
VCR	H	L	H	H
TV	H	H	(H)	H
FM/AM	L	L	L	L

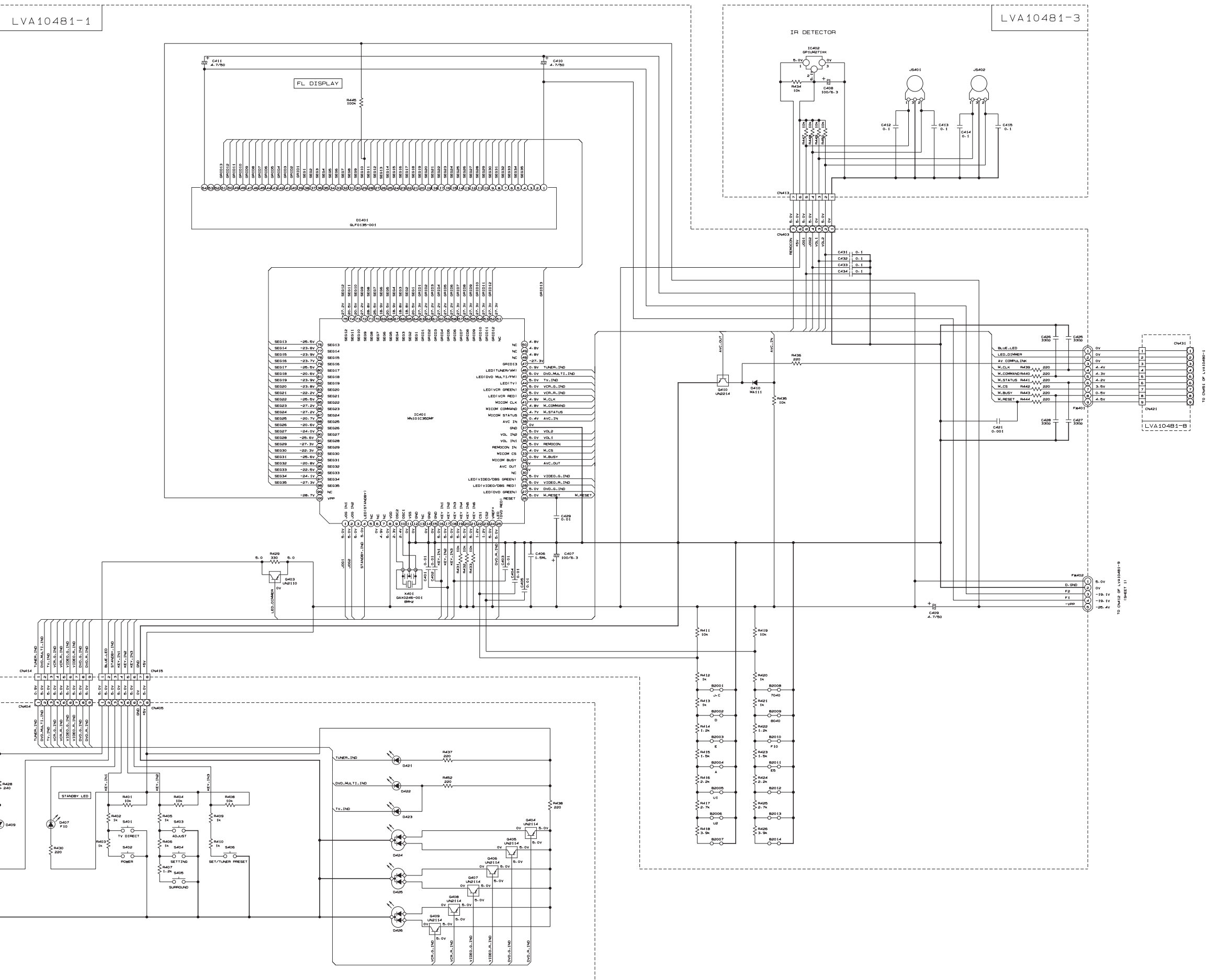
VERSION LIST

	LVA10480-2	LVA10480-6	LVA10512-1	LVA10512-2
US·UT·LP·LF A·UX·LJ	○	○	△	△
J·C	○	○	△	△
D	△	○	○	○

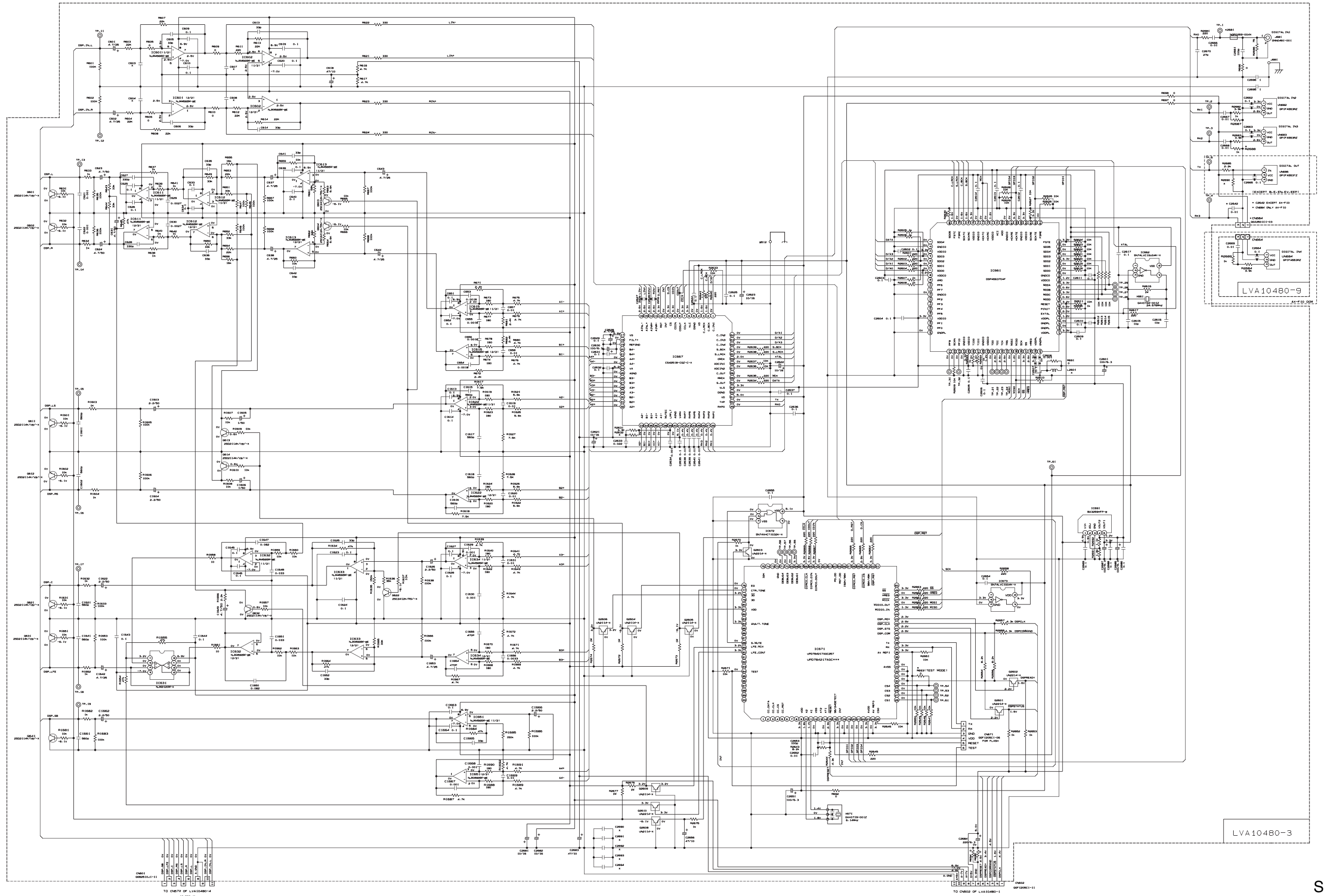


▲ Parts are safety assurance parts.
When replacing those parts make sure to use the specified one.

■ User control / FL display section

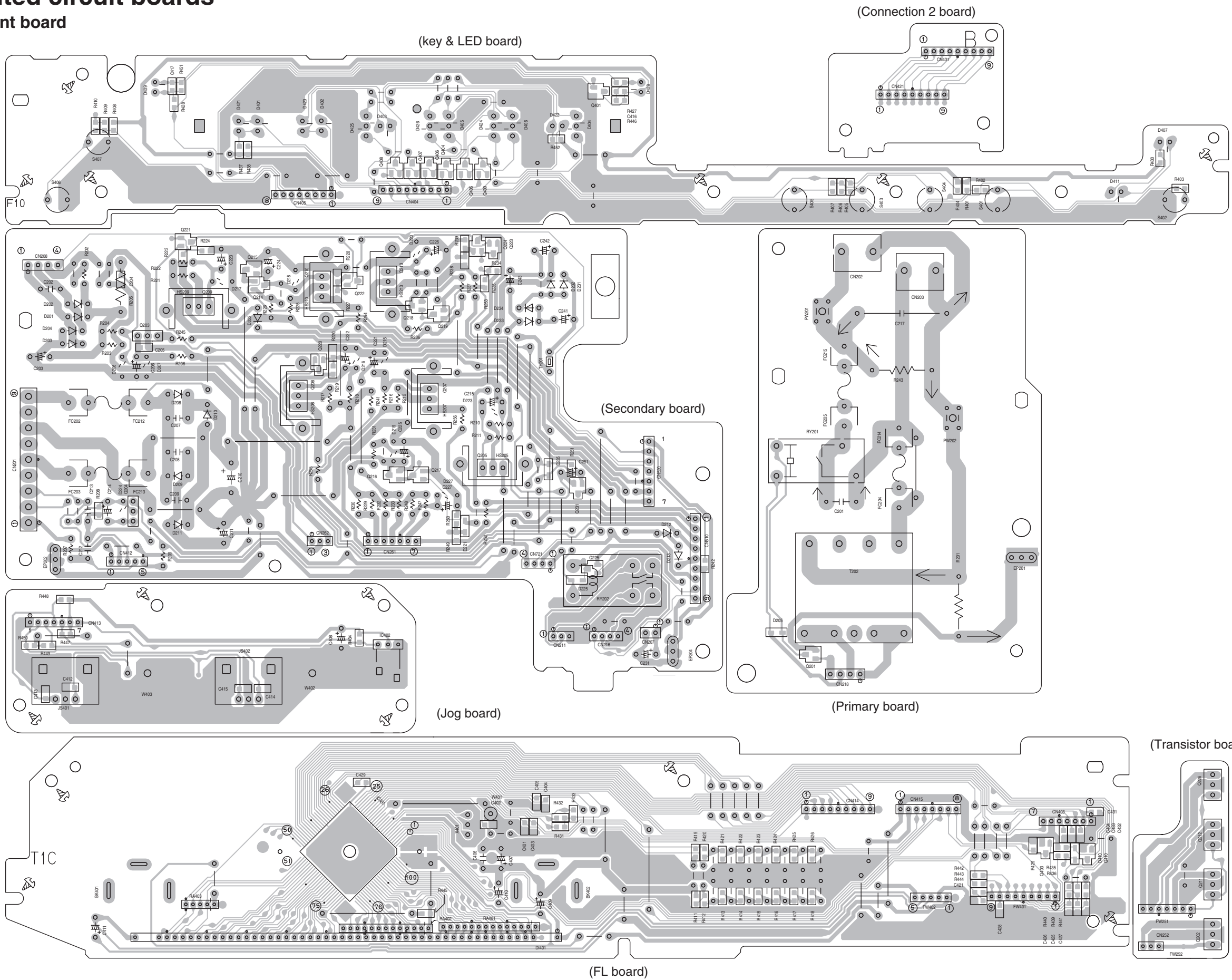


■ DSP / Digital signal input terminal section

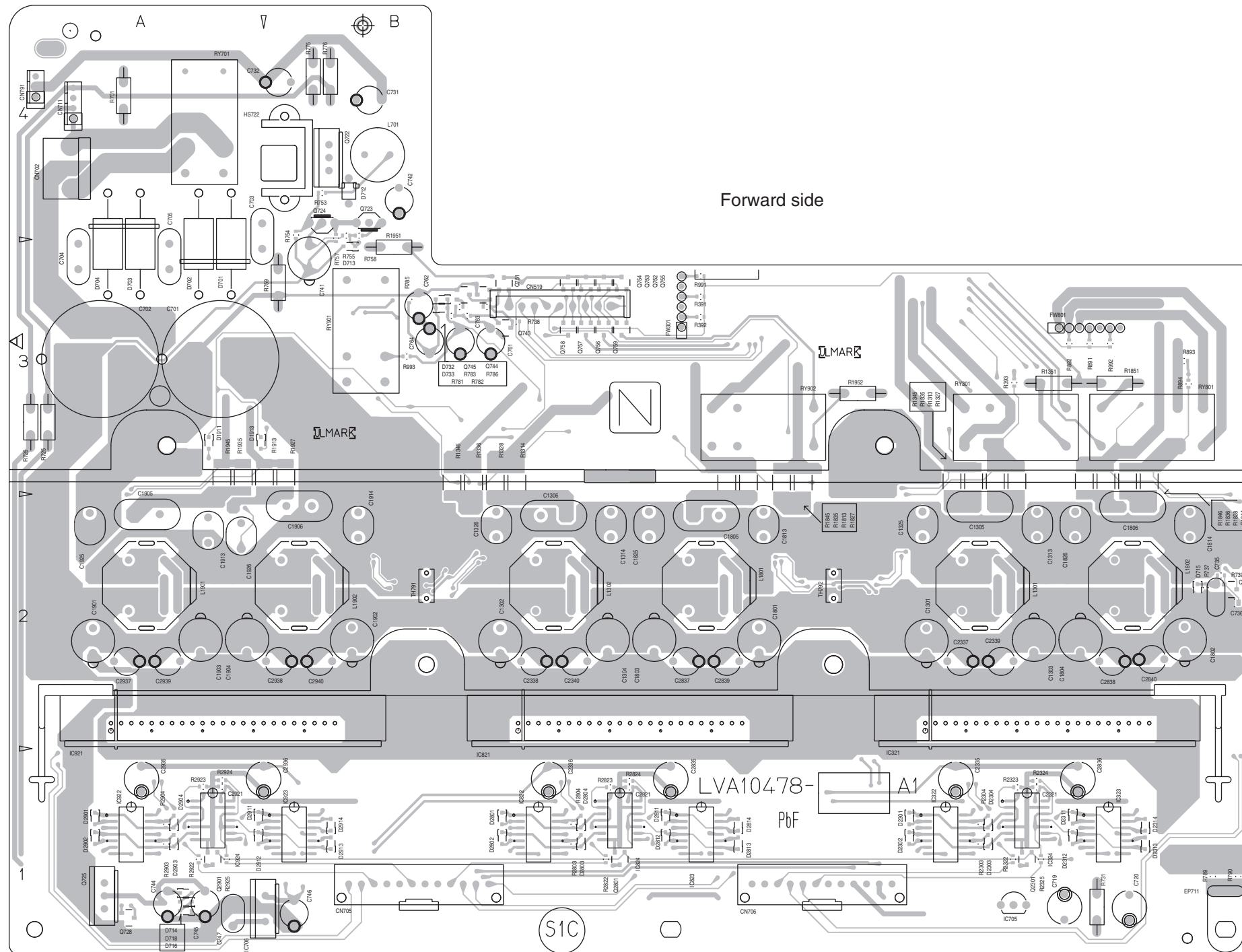


Printed circuit boards

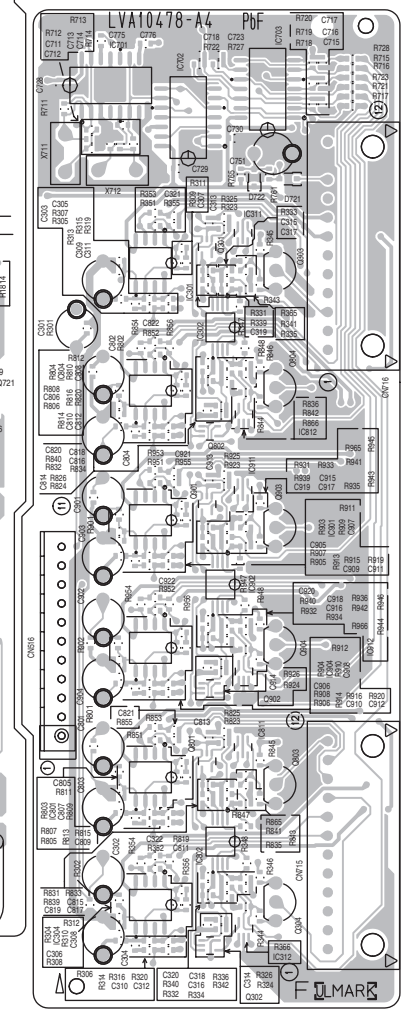
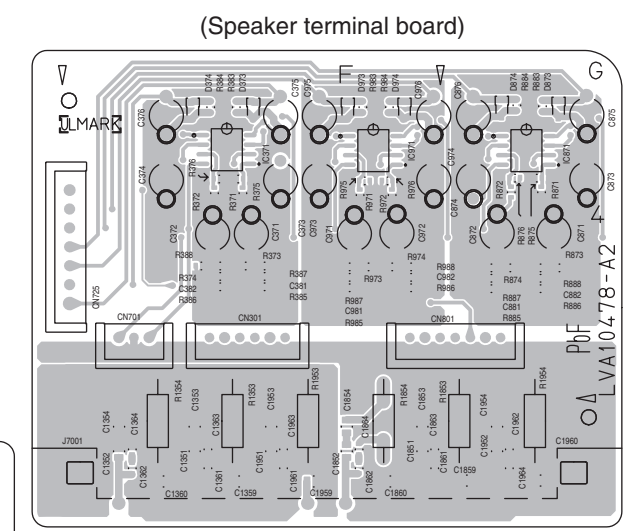
■ Front board



■ Amp. board

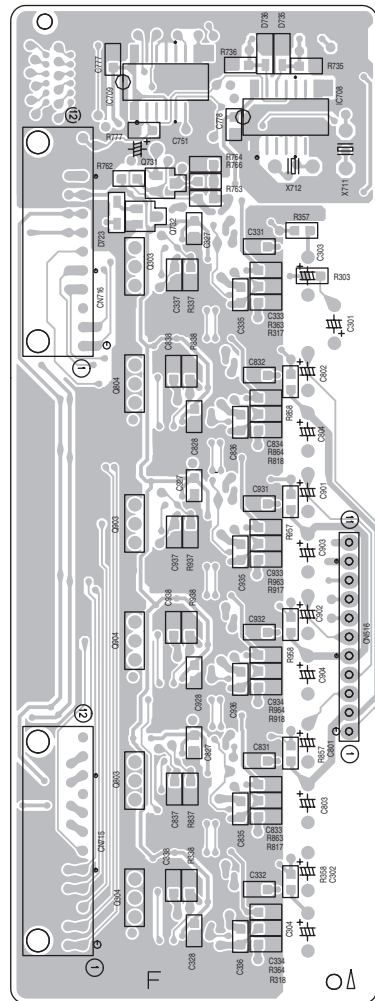
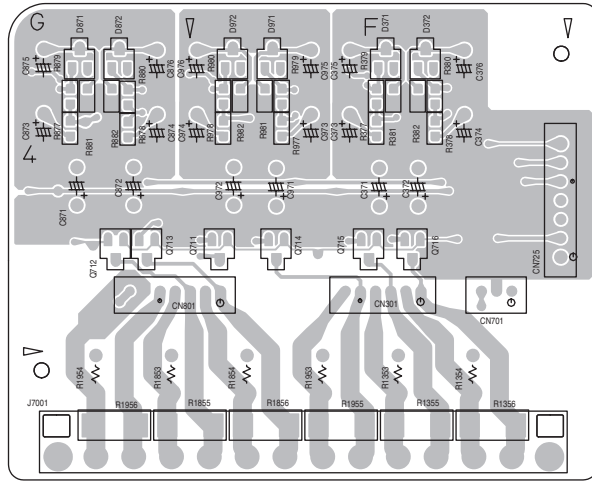


(Main amplifier board)



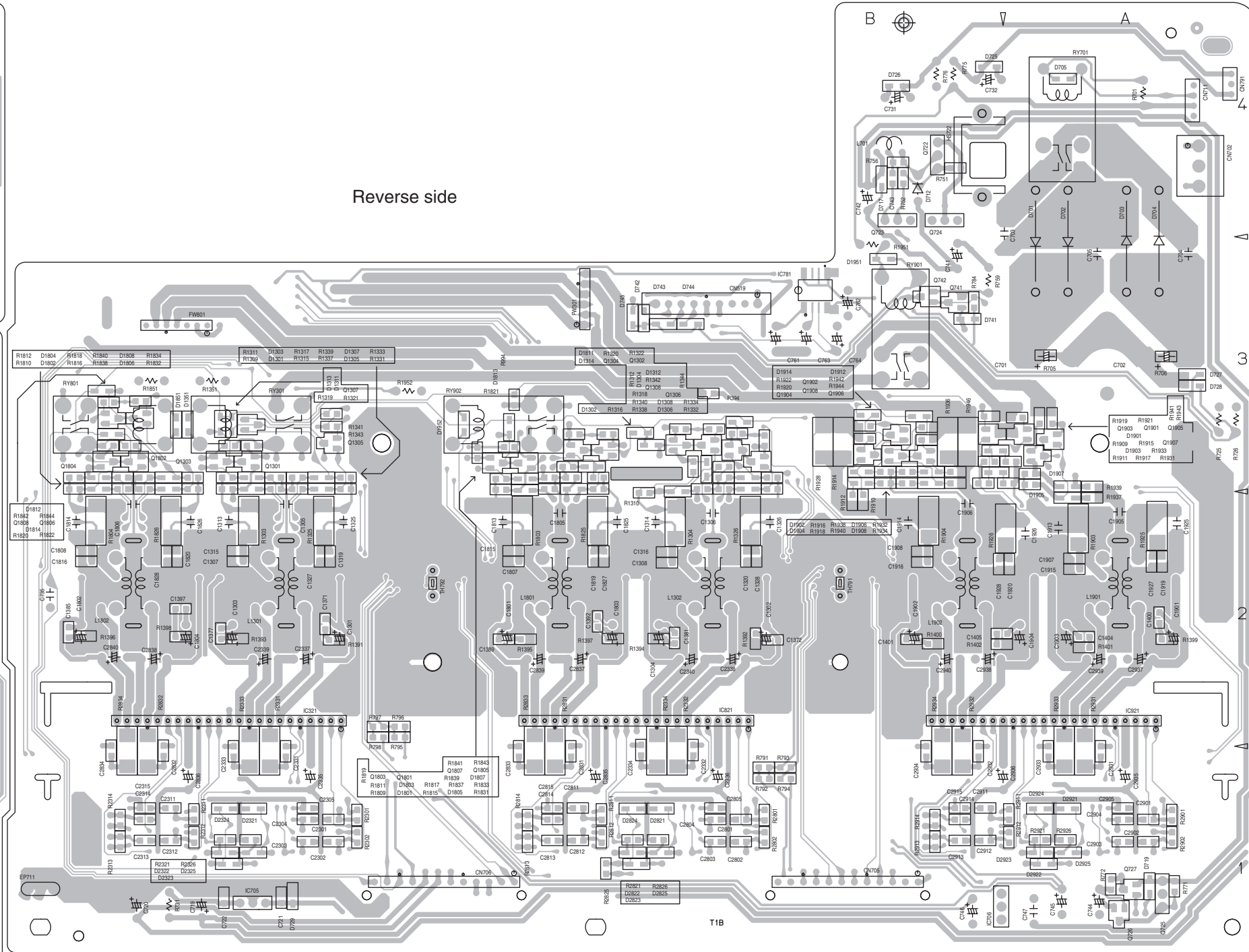
■ Amp. board

(Speaker terminal board)



(PWM modulator board)

Reverse side



(Main amplifier board)

< MEMO >

JVC

Victor Company of Japan, Limited

AV & MULTIMEDIA COMPANY AUDIO/VIDEO SYSTEMS CATEGORY 10-1, 1chome, Ohwatari-machi, Maebashi-city, 371-8543, Japan

(No.MB264SCH)



Printed in Japan
WPC